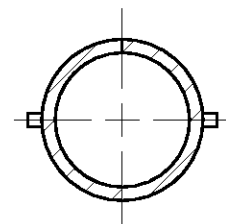
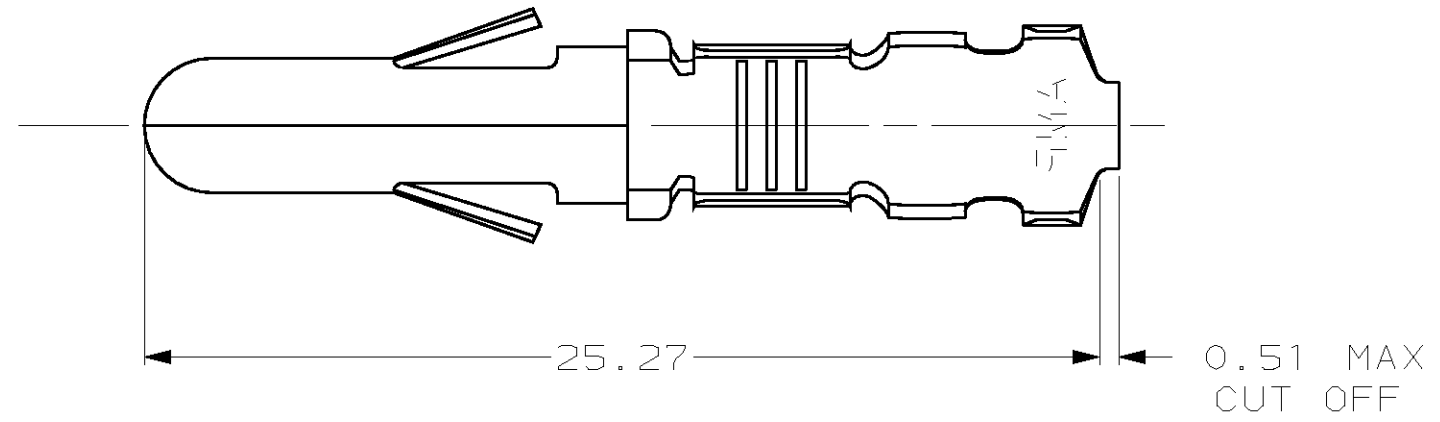


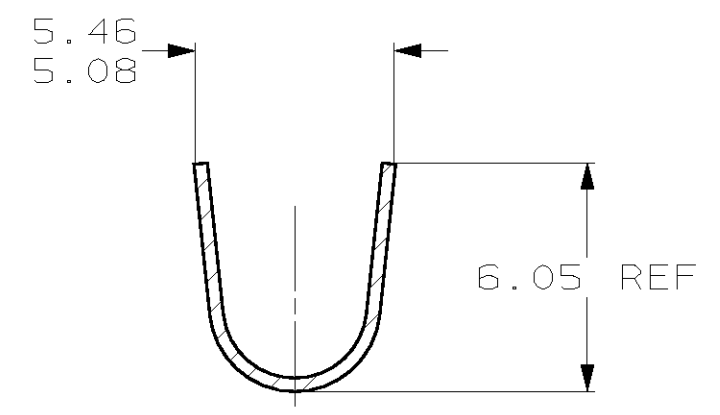
THIS DRAWING IS UNPUBLISHED. RELEASED FOR PUBLICATION .19  
 (C) COPYRIGHT 19 BY AMP INCORPORATED. ALL RIGHTS RESERVED.

LOC		DIST		REVISIONS			
P	LTR	DESCRIPTION		DATE	DWN	APVD	
CM	53	C		REV & REDWN PER EC 0G1B-0217-98	29OCT98	TB	RS

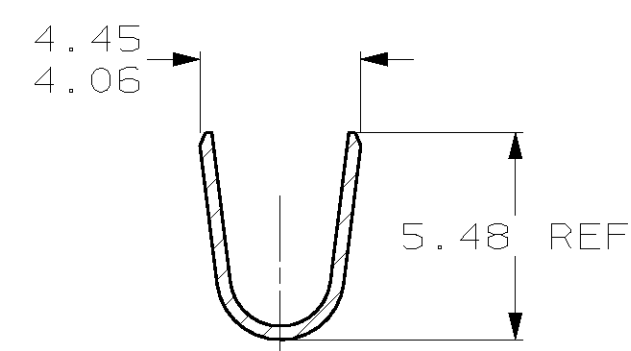
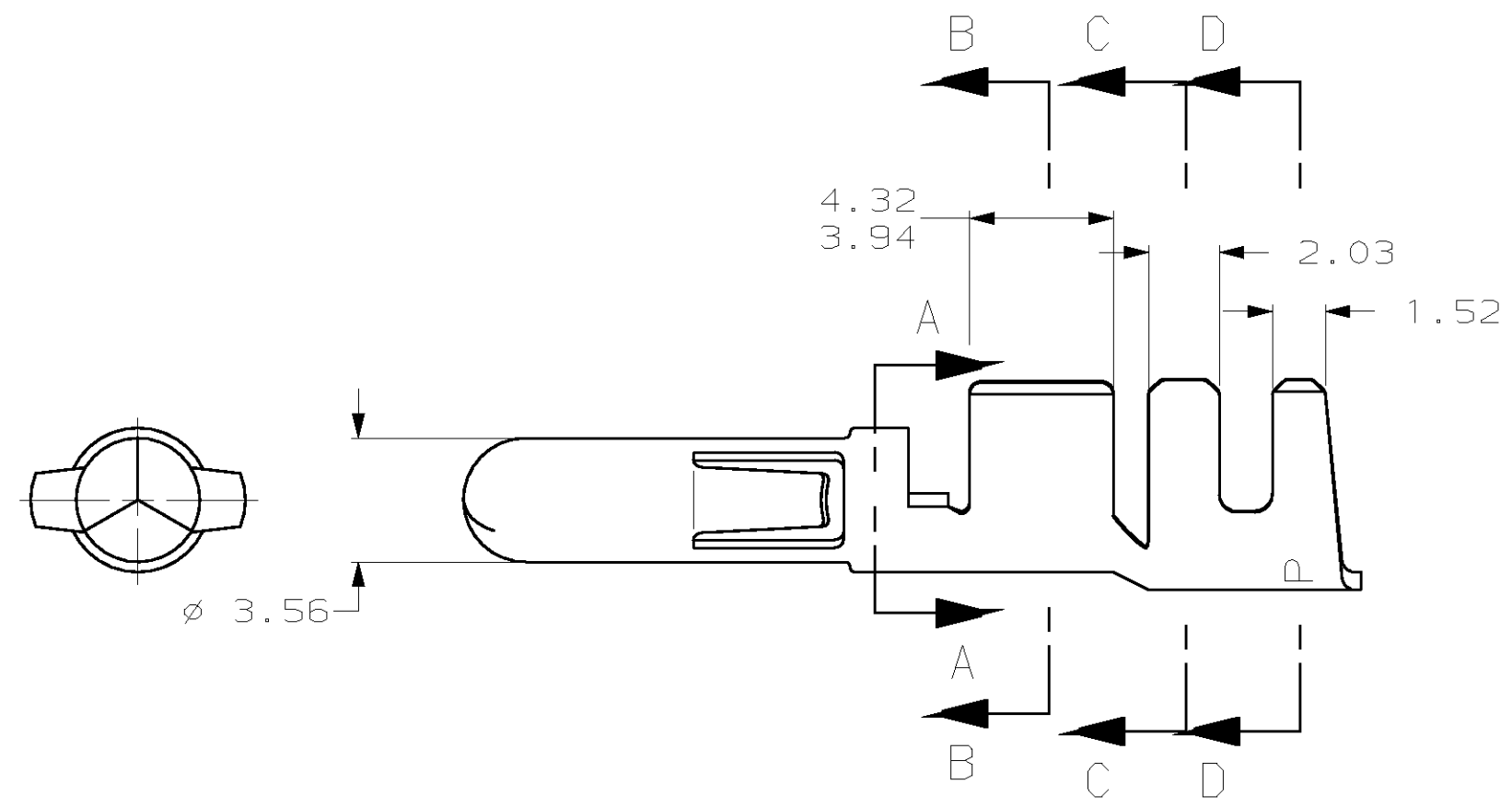
1. WIRE RANGE: 2 - 6 mm<sup>2</sup> (14 - 10 AWG)
2. INSULATION RANGE: 2.54 - 4.57



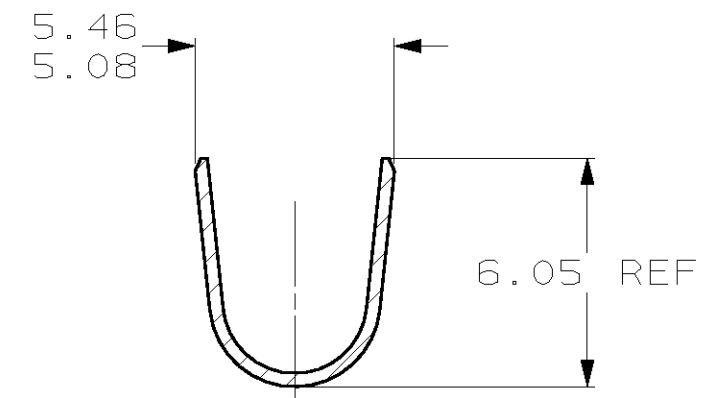
SECTION A-A



SECTION C-C



SECTION B-B



SECTION D-D

PRE TIN	0.36 PH BRZ	350391-2
PRE TIN	0.35 BRASS	350391-1
FINISH	MATERIAL	PART NUMBER

MM	IN	MM	IN	MM	IN	MM	IN
1.52	.060	4.06	.160	5.46	.215	-	-
0.51	.020	3.94	.155	5.08	.200	-	-
0.36	.014	3.56	.140	4.57	.180	25.27	.995
0.35	.014	2.54	.100	4.45	.175	6.05	.238
0.13	.005	2.03	.080	4.32	.170	5.48	.216
MM	IN	MM	IN	MM	IN	MM	IN

CONVERSION TABLE

**METRIC**

THIS DRAWING IS A CONTROLLED DOCUMENT.		DWN	29OCT1998	AMP Incorporated Harrisburg, PA 17105-3608
DIMENSIONS: mm		CHK	29OCT1998	
TOLERANCES UNLESS OTHERWISE SPECIFIED:		APVD	16NOV1998	
0 PLC ±- 1 PLC ±- 2 PLC ±0.13 3 PLC ±- 4 PLC ±- ANGLES ±-		NAME	C. MARTIN	
MATERIAL	SEE TABLE	FINISH	SEE TABLE	PIN, LOOSE PIECE, .140 PIN & SOCKET CONNECTOR
CUSTOMER DRAWING		SCALE	5:1	RESTRICTED TO
		SHEET	1 OF 1	
		REV	C	

350391